

# Mi-T-M<sup>®</sup> CORPORATION

8650 Enterprise Drive, Peosta IA 52068

**PARTS LIST FOR**

***GC-3004-4MGH***

**(GRAINGER ITEM #3WB72)**

**COLD WATER PRESSURE WASHER**

*MANUFACTURED FOR W.W. GRAINGER INC.*

*FOR REPLACEMENT PARTS CALL GRAINGER PARTS 800-323-0620*

**Engine Oil Grade:**  
**Engine Oil Capacity:**  
**Pump Oil Grade:**  
**Pump Oil Capacity:**  
**Nozzle Size:**

**SAE 10W-30 (Grainger Item #4F743)**  
**37 oz.**  
**SAE30W Non-Detergent (Grainger Item #4ZF21)**  
**41 oz.**  
**4.0**

This Parts Listing has been compiled for your benefit. You can be assured your Cold Water Pressure Washer was constructed and designed with quality and performance in mind. Each component has been rigorously tested to insure the highest level of acceptance.

The contents of this Parts Listing are based on the latest product information available at the time of publication. Manufacturer reserves the right to make changes in price, color, materials, equipment, specifications or models at any time without notice.

**WARNING**

THIS IS A PROFESSIONAL HIGH PRESSURE, COLD WATER PRESSURE WASHER. CAUTION SHOULD BE OBSERVED WHEN USING OR REPAIRING THIS UNIT! READ AND FOLLOW THE SAFETY WARNINGS LISTED BELOW BEFORE ATTEMPTING ANY REPAIRS ON THIS PRESSURE WASHER!

**SAFETY WARNINGS**

1. NEVER alter or modify the equipment. Be sure any accessory items and system components being used will withstand the pressure developed. Use only genuine manufacturer parts for repair of your pressure washer. Failure to do so can cause hazardous operating conditions and will VOID warranty.
2. NEVER make adjustments on machinery while the unit is connected to the engine without first removing the ignition cables from the spark plugs. Turning over the machinery by hand during adjustment or cleaning might start the machinery, causing serious injury to the operator.
3. Know how to stop and bleed pressures quickly. Be thoroughly familiar with controls.
4. Before servicing the unit, turn unit off, relieve the water pressure and allow the unit to cool down. Do not make repairs while the unit is running. Service in a clean, dry, flat area.
5. After testing the machine, DO NOT leave the pressurized unit unattended. Shut off the unit and release trapped pressure before leaving.

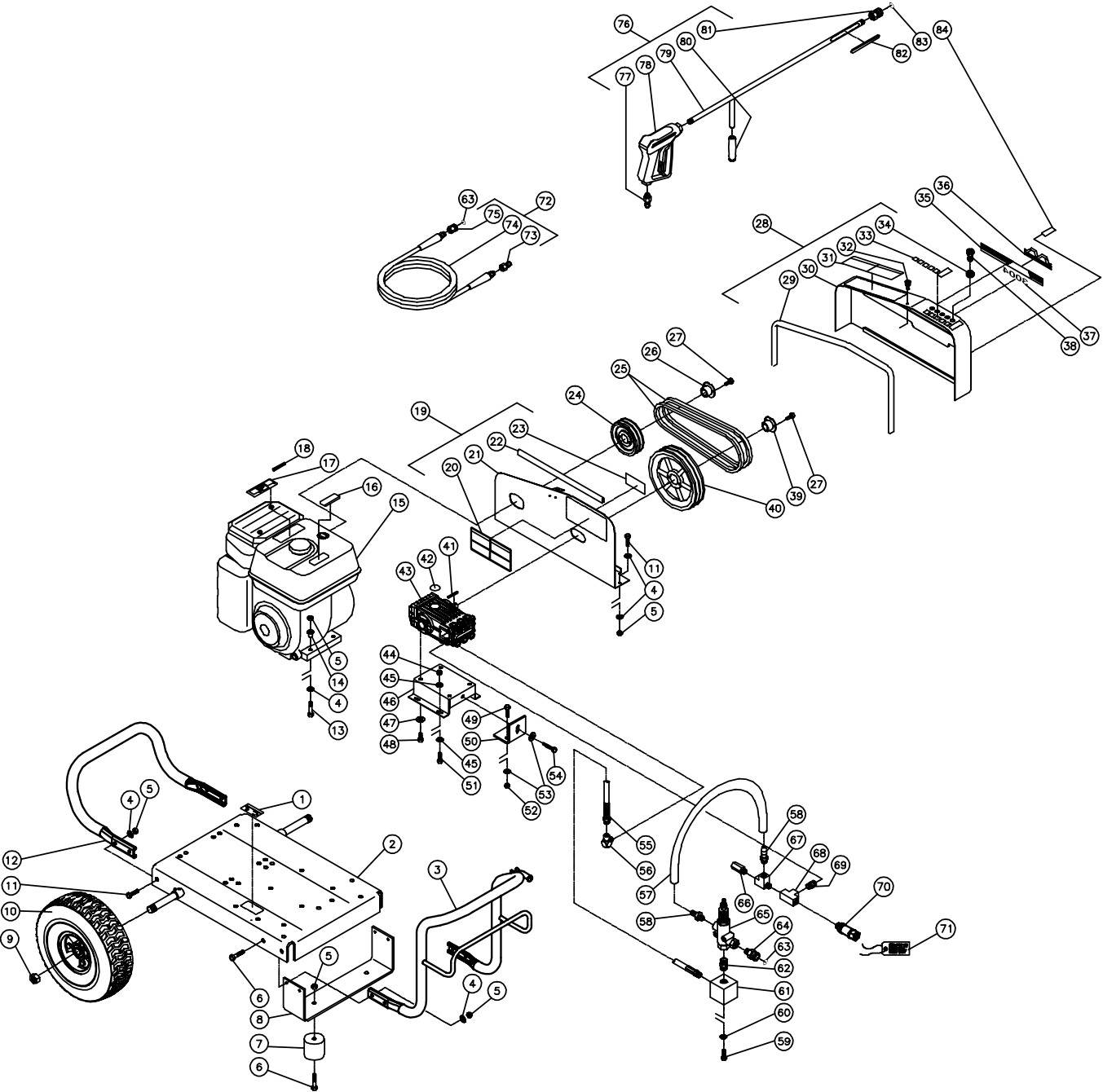
**Table of Contents**

**SPECIFICATIONS ..... 3**  
**FRAME ASSEMBLY FOR GC-3004-4MGH ..... 4**  
**PUMP ASSEMBLY (3-0202) ..... 6**  
**UNLOADER ASSEMBLY (8-0032) ..... 8**  
**GUN ASSEMBLY (16-0001) ..... 10**

## SPECIFICATIONS

MODEL NUMBER	GC-3004-4MGH
<b>Operating Pressure (PSI/Bar):</b>	3000/206.8
<b>High Pressure Nozzle:</b>	4.0
<b>Water Volume (GPM/lpm):</b>	3.5/13.2
<b>Engine:</b>	Honda
Horsepower	11.0
Engine Type	4 Stroke, Overhead Valve, Single Cylinder
Oil Type	SAE10W-30 (Grainger Item #4F743)
Oil Capacity (oz./liter)	37/1.1
Low Oil Protection	Oil Alert™
Fuel Type	Unleaded Gasoline 86 Octane Minimum
Fuel Capacity (gal./liter)	1.7/6.5
Starting	Recoil
Maximum No Load RPM	3600 (+/- 100) RPM
<b>Pump:</b>	Belt Driven, Oil Bath, Triplex Piston
Oil Type	SAE30W Non-Detergent (Grainger Item #4ZF21)
Oil Capacity (oz./liters)	41/1.2
Plungers	Ceramic
Manifold	Forged Brass
Valves	Stainless Steel
Unloader	Preset
Thermal Relief Valve	Relieves heated water during unloader bypass stage
<b>Unit Net Weight (lbs/Kg)</b>	213.5/97
<b>Unit Shipping Weight (lbs/Kg)</b>	283.5/131.5
<b>Unit Net Dimension (cm)</b>	46Lx28Wx30H/117Lx71Wx76H
<b>Unit Shipping Dimension (cm)</b>	48.5Lx30.5Wx35.5H/123Lx77.5Wx90H

# FRAME ASSEMBLY FOR GC-3004-4MGH

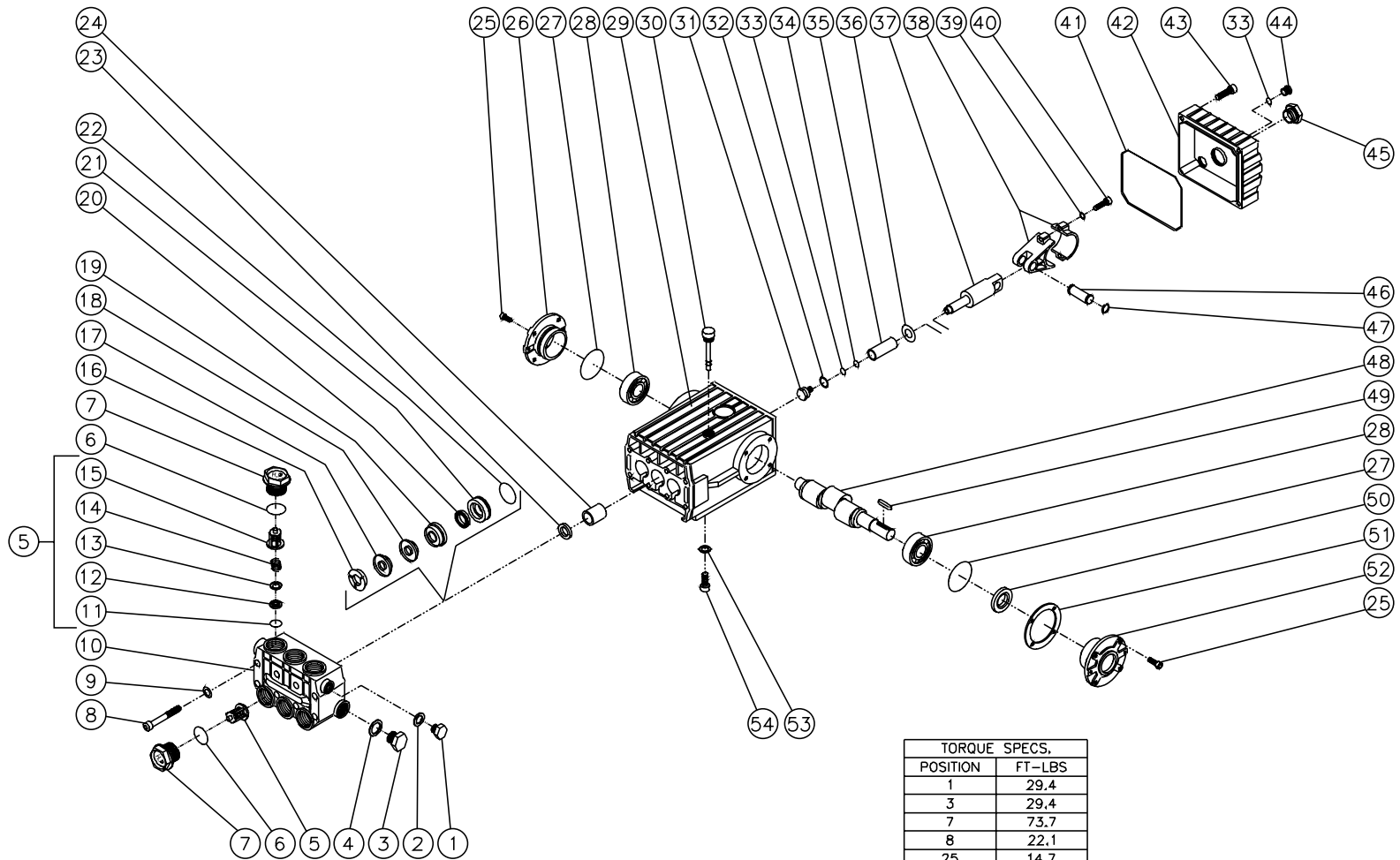


GC-3004-4MGH-070803-KZ

## FRAME ASSEMBLY FOR GC-3004-4MGH

REF. #	DESCRIPTION	PART #	QTY.	REF. #	DESCRIPTION	PART #	QTY.	REF. #	DESCRIPTION	PART #	QTY.
1	Decal- Data Plate	N/A	1	31	Decal- Operating Instructions (See 34-9017)	N/A Sep.	1	58	Hose Barb	23-0007	2
2	Base Plate	5-0078A42	1	32	Fastener	33-0197	1	59	Bolt	27-0116	2
3	Front Handle	7-0101A42	1	33	Decal- Nozzle Die Cut	34-0500	1	60	Washer	29-0008	2
4	Washer	28-0003	20	34	Grommet	33-0001	5	61	Manifold Block	51-0012	1
5	Locknut	30-0157	18	35	Decal- Mi-T-M Stripe	34-0501	1	62	Hex Nipple	24-0031	1
6	Bolt	27-0068	6	36	Mi-T-M Logo	62-0086	1	63	O-ring (Replacement Only)	25-0123	-
7	Isolator	14-0008	2	37	Decal- Die Cut 3004	34-0105	1	64	Quick Connect Socket	17-0029	1
8	Underbracket	13-0137A42	1	38	Spray Nozzle- 0004	18-0028	1	65	Unloader	8-0032	1
9	Jamnut	30-0117	2	-	Spray Nozzle- 1504	18-0029	1	66	Thermal Relief Valve	22-0005	1
10	Wheel	14-0092	2	-	Spray Nozzle- 2504	18-0030	1	67	Street Tee	23-0124	1
11	Bolt	27-0067	8	-	Spray Nozzle- 4004	18-0031	1	68	Tee	23-0043	1
12	Rear Handle	7-0175A42	1	39	Bushing	9-0017	1	69	Hex Nipple	23-0012	1
13	Bolt	27-0070	4	40	Sheave	10-0040	1	70	Filter Assembly	19-0206	1
14	Engine Shim	33-0169	4	41	Key w/Pump	43-0048	1	71	Tag- Water Supply Inlet	34-0097	1
15	Engine- 11.0 HP Honda	1-0039	1	42	Decal- Pump ID Number	N/A	1	72	Pressure Hose Assembly (Inc. 73-75)	851-0007	1
16	Decal- Caution: Allow to Cool (See 34-9017)	N/A Sep.	1	43	Pump	3-0202	1	73	Quick Connect Plug	17-0006	1
17	Decal- Warning: Muffler Hot (See 34-9017)	N/A Sep.	1	44	Locknut	30-0161	4	74	Pressure Hose	15-0003	1
18	Key	43-0078	1	45	Washer	28-0030	8	75	Quick Connect Socket	17-0004	1
19	Beltguard Back Assembly (Inc. 20-24)	851-0349	1	46	Pump Bracket	5-0101A01	1	76	Gun/Wand Assembly (Inc. 77-81)	851-0095	1
20	Decal- Warning/ Caution (See 34-9017)	N/A Sep.	1	47	Washer w/Pump	29-0055	4	77	Quick Connect Plug	17-0005	1
21	Beltguard Back (See 851-0349)	N/A Sep.	1	48	Bolt w/Pump	27-8471	4	78	Gun	16-0001	1
22	Edging *(Two Feet Required)	33-0020	1	49	Bolt	27-0118	2	79	Wand w/ 36" Handle	16-0120A01	1
23	Decal- Warning: Beltguard Cover (See 34-9017)	N/A Sep.	1	50	Brace Tightener	13-0003A01	1	80	Grip Handle	7-0002	1
24	Sheave	10-0029	1	51	Bolt	27-0166	4	81	Quick Connect Socket	17-0001	1
25	Belt	11-0036	2	52	Locknut	30-0159	2	82	Decal- Warning: Risk of Injection (See 34-9017)	N/A Sep.	1
26	Bushing	9-0005	1	53	Washer	28-0023	3	83	O-ring (Replacement Only)	25-0122	-
27	Bolt (w/ Bushing)	27-0015	4	54	Bolt	27-0576	1	84	Decal- Grainger 800# (See 34-9017)	N/A Sep.	1
28	Beltguard Cover Assembly (Inc. 29-34)	851-0348	1	55	Hose	15-0024	1		Safety Decal Kit (Inc. 16, 17, 20, 23, 31, 82, 84)	34-9017	
29	Edging *(Four Feet Required)	33-0020	1	56	Elbow	24-0105	1	*Must Order in One Foot Lengths			
30	Beltguard Cover (See 851-0348)	N/A Sep.	1	57	By-Pass Hose	15-0035	1				

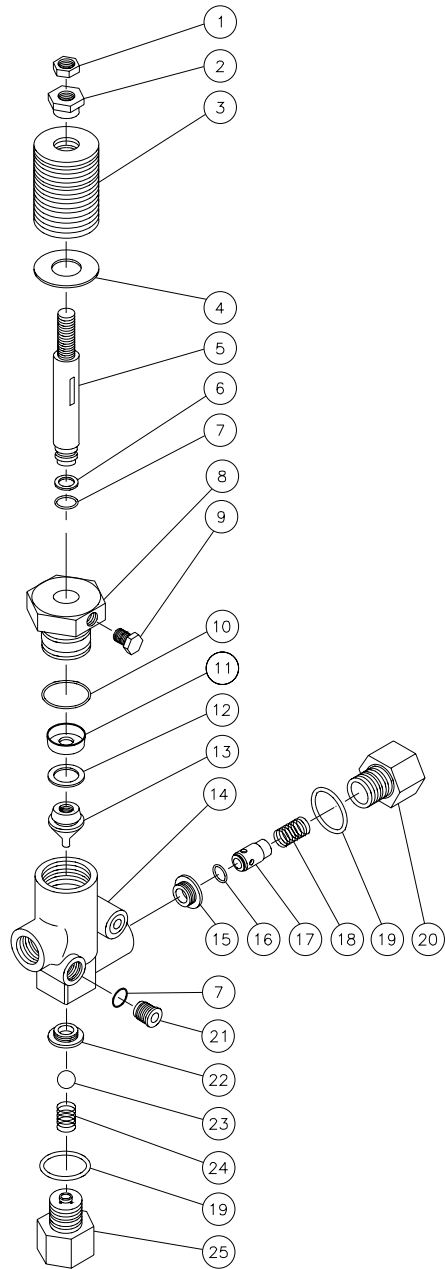
# PUMP ASSEMBLY (3-0202)



TORQUE SPECS.	
POSITION	FT-LBS
1	29.4
3	29.4
7	73.7
8	22.1
25	14.7
31	14.7
40	14.7
43	7.3
44	14.7
45	14.7
54	29.4

PUMP ASSEMBLY (3-0202)											
REF. #	DESCRIPTION	PART #	QTY.	REF. #	DESCRIPTION	PART #	QTY.	REF. #	DESCRIPTION	PART #	QTY.
1	Plug	39-0018	1	21	Low Pressure Seal Retainer	46-0887	3	41	O-ring Cover	25-0339	1
2	Washer	28-1002	1	22	O-ring	25-0015	3	42	Crankcase Cover	46-0295	1
3	Plug	39-0019	1	23	Oil Seal	26-0047	3	43	Bolt	27-8404	5
4	Washer	28-1038	1	24	Bushing	9-0029	3	44	Plug	39-0017	1
5	Valve Assembly (Inc. 11-15) (See 70-0009)	N/A Sep.	6	25	Bolt	27-8431	8	45	Oil Level Indicator	46-0114	1
6	O-ring	25-0012	6	26	Crankcase Cover	46-0336	1	46	Connecting Rod Pin	43-0032	3
7	Valve Plug	46-0889	6	27	O-ring	25-0013	2	47	Retaining Ring	46-0103	6
8	Bolt	27-8185	8	28	Bearing	48-0012	2	48	Crankshaft	46-0050	1
9	Flatwasher	28-1039	8	29	Crankcase	46-0292	1	49	Key	43-0048	1
10	Manifold	46-0890	1	30	Oil Dip Stick	46-0144	1	50	Oil Seal	26-0049	1
11	O-ring (See 70-0009)	N/A Sep.	6	31	Bolt	46-0069	3	51	Shim	46-0113	1
12	Valve Seat (See 70-0009)	N/A Sep.	6	32	Gasket	28-0400	3	52	Crankcase Open Cover	46-0296	1
13	Valve Plate (See 70-0009)	N/A Sep.	6	33	O-ring	25-0014	4	53	Lockwasher	29-0055	4
14	Valve Spring (See 70-0009)	N/A Sep.	6	34	Back-up Ring	46-0109	3	54	Bolt	27-8471	4
15	Valve Cage (See 70-0009)	N/A Sep.	6	35	Plunger	46-0052	3		Valve Assembly (6 each 5, 11-15)	70-0009	
16	High Pressure Head Ring (See 70-0030)	N/A Sep.	3	36	Washer	46-0146	3		Head Ring Kit (3 each 16)	70-0030	
17	High Pressure V-Packing (See 70-0299)	N/A Sep.	3	37	Piston Rod	46-0056	3		V-Packing Kit (3 each 17, 18, 20)	70-0299	
18	V-Packing Support (See 70-0299)	N/A Sep.	3	38	Connecting Rod	46-0051	3		Intermediate Retainer Kit (3 each 18, 19)	70-0148	
19	High Pressure Intermediate Seal Retainer	46-0659	3	39	Lockwasher	29-0154	6		Low Pressure Seal Kit (3 each 20-22)	70-0298	
20	Low Pressure Seal	46-0886	3	40	Bolt	27-8435	6		V-Packing Assembly (Inc. 16-22)	70-0300	

# UNLOADER ASSEMBLY (8-0032)

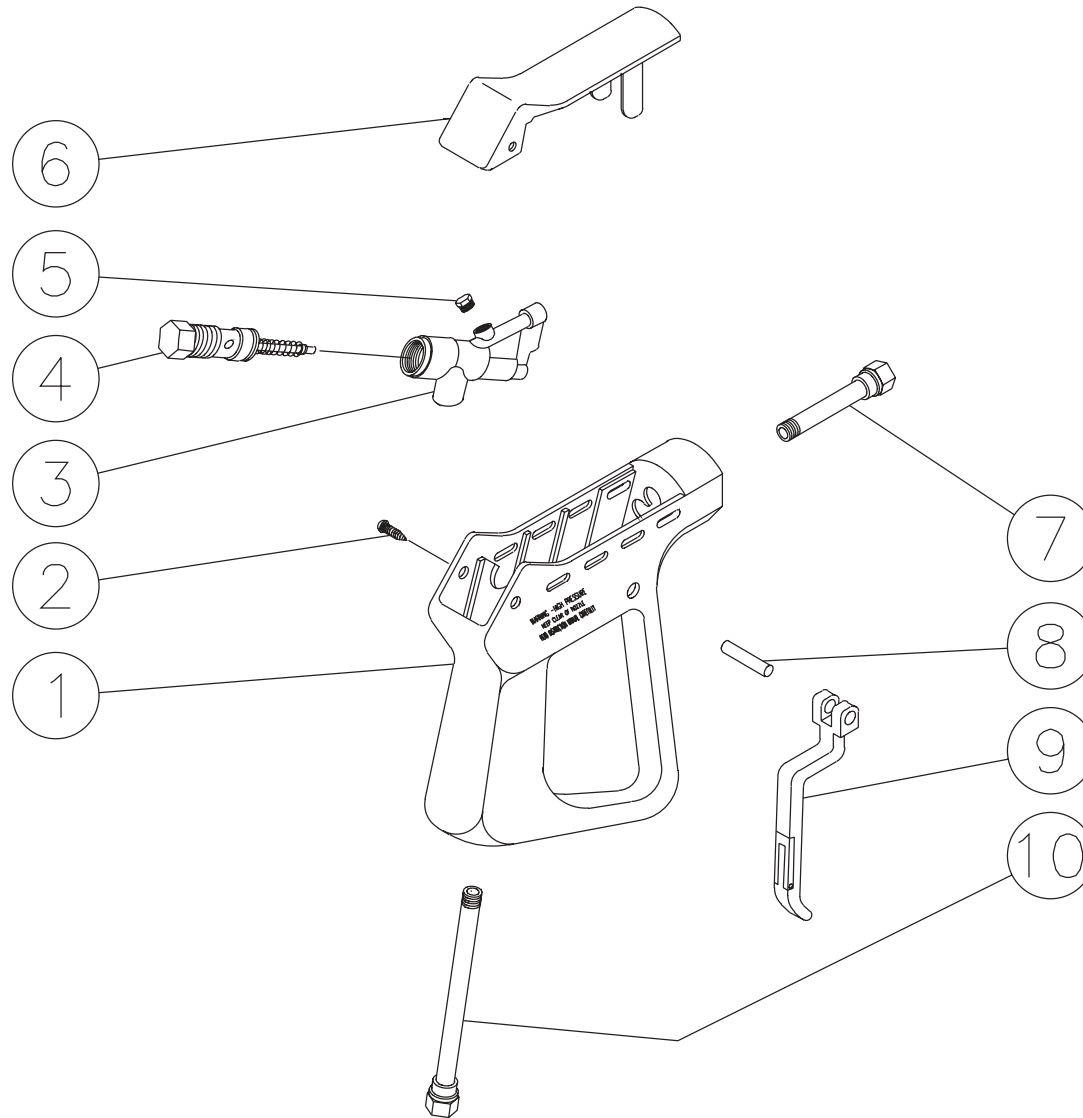


OMGEN074-083094-BAR



UNLOADER ASSEMBLY (8-0032)			
REF.#	DESCRIPTION	PART #	QTY.
1	Locknut	30-3058	1
2	Adjusting Nut	8-0089	1
3	Spring Washers - Orange	8-0009	15
4	Washer	28-0250	1
5	Valve Stem	8-0037	1
6	Backup Ring	8-0038	1
7	O-ring	25-0009	5
8	Valve Cap	8-0036	1
9	Set Screw	8-0084	1
10	O-ring	25-0008	1
11	Cup	8-0034	1
12	Back-up Ring	8-0040	1
13	Piston	8-0039	1
14	Valve Body	8-0164	1
15	Outlet Seat	8-0006	1
16	O-ring	25-0011	1
17	Outlet Valve	8-0004	1
18	Spring	49-0016	1
19	O-ring	25-0010	2
20	Outlet Retainer	8-0003	1
21	Brass Plug	8-0011	4
22	Valve Seat	8-0005	1
23	Ball	8-0041	1
24	Spring	49-0015	1
25	Inlet Retainer	8-0165	1
	Unloader Repair Kit (Inc. 6, 7, 10-12, 16 and 19)	70-0044	

# GUN ASSEMBLY (16-0001)



16-0001-110399-RD

<b>GUN ASSEMBLY (16-0001)</b>			
<b>REF. #</b>	<b>DESCRIPTION</b>	<b>PART #</b>	<b>QTY.</b>
1	Plastic Housing	16-0008	1
2	Screw	27-3230	2
3	Brass Housing	16-0012	1
4	Gun Repair Kit	70-0055	1
5	Brass Plug	39-0024	1
6	Plastic Cover	16-0009	1
7	Pipe Assembly	16-0013	1
8	Trigger Pin	16-0063	1
9	Trigger/Safety Lock-off	16-0010	1
10	Pipe Assembly- Inlet	16-0016	1
	Complete Gun Assembly	16-0001	1

